



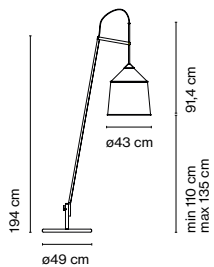
# Jaima

## Joan Gaspar

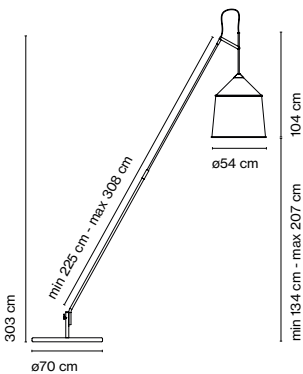
**marset**



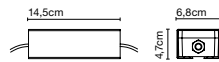
**Jaima P207 + Shade 43**



**Jaima P307 + Shade 54**

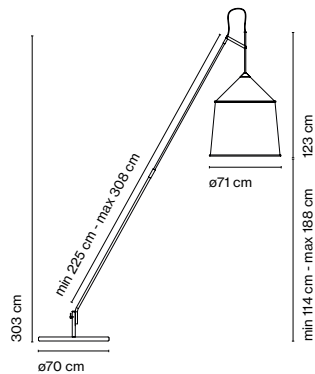


**Dimmer Casambi IP65**



ABS case with powder-coated aluminum trim. Bluetooth smart wireless trailing edge dimmer that adjusts light intensity or switches the lamp ON/OFF. Available in Android or iOS with the app Casambi.

**Jaima P307 + Shade 71**



**Jaima P207 + Shade 43**

LED COB 13,5W 2700 CRI90  
Luminaire 529lm  
Light Source 1092lm (included)

**Jaima P307 + Shade 54**

LED COB 13,5W 2700 CRI90  
Luminaire 514lm  
Light Source 1092lm (included)

**Jaima P307 + Shade 71**

LED COB 13,5W 2700 CRI90  
Luminaire 530lm  
Light Source 1092lm (included)

Black electrical cord

Shade made of textielene with the inner part always in white. Stainless steel structure in lacquered grey.

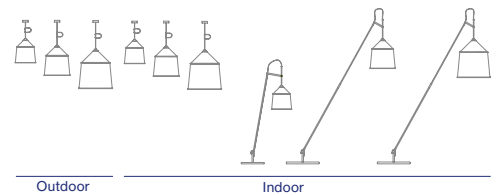
- Blue
- Beige
- Grey
- Green

dimmable

IP65

- [Download](#) Assembly instructions
- [Download](#) 2D
- [Download](#) 3D
- [Download](#) Energy label

**Collection**

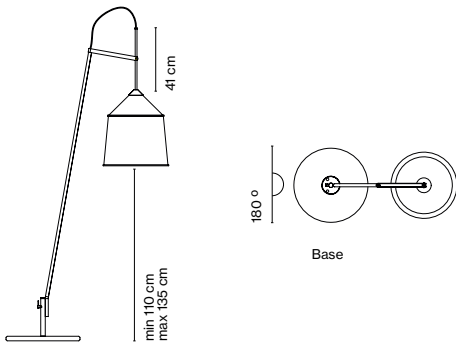


**Watch the video**  
info@marset.com

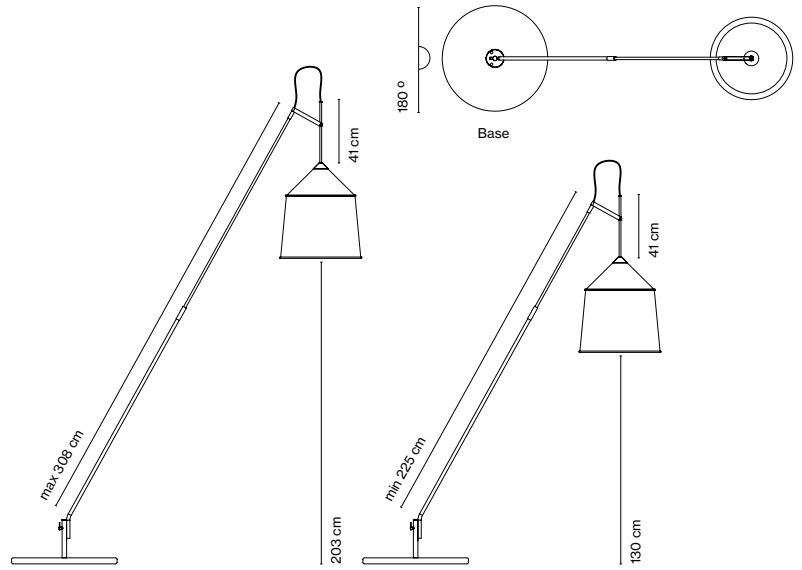
Through the language of textiles, Joan Gaspar has designed a light of flexible, ductile materials that sifts the light as readily as it moves with the wind. In the Jaima collection, the light is the shade and weaver of emotions.

# Range of positions

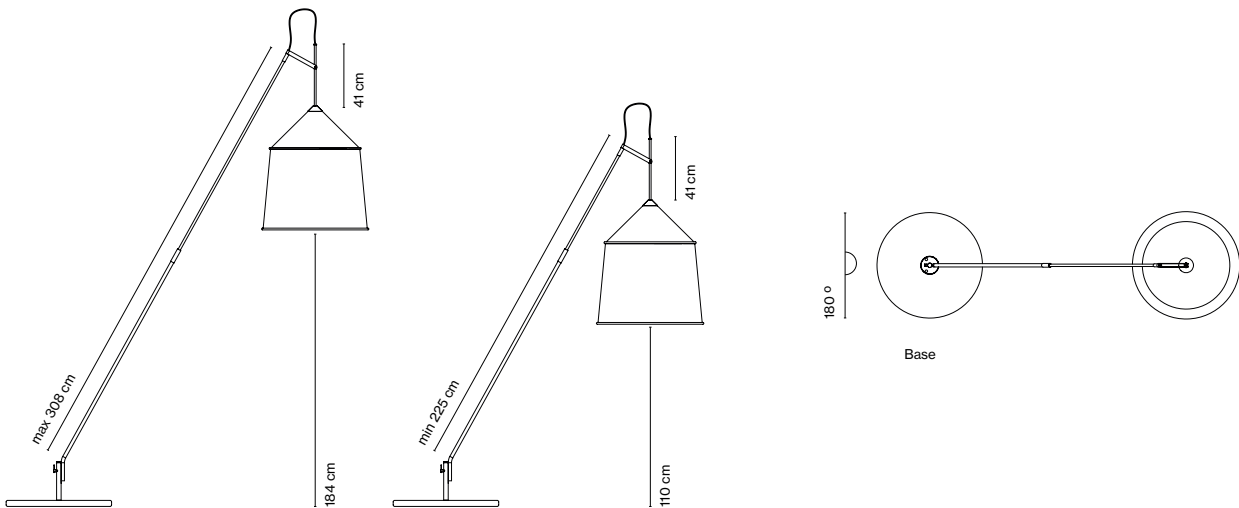
Jaima P207 with shade 43



Jaima P307 extensible with shade 54



Jaima P307 extensible with shade 71



Base



Floor support



Wall bracket



Shade finishes