

Quartz folding chair

by Ramón Esteve

The Quartz chairs and table collection, designed by Ramón Esteve for Vondom, is characterized by its **orthogonal geometry and triangular shaped profiles**. Due to the line of one of its vertexes this piece appears extremely light.

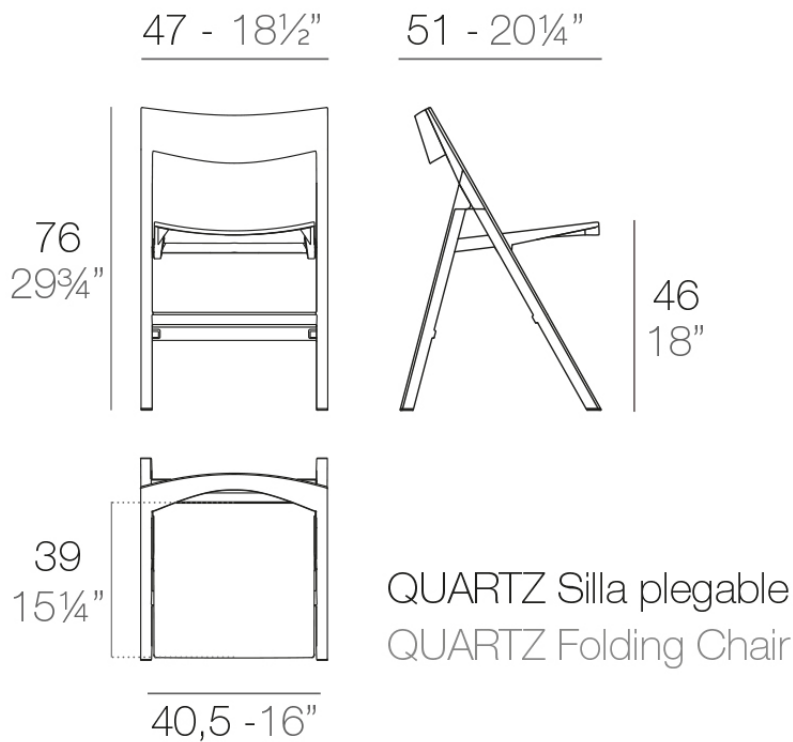


Info

Description

Injected polypropylene with fiber glass. Stackable. Item suitable for indoor and outdoor use.

Weight: 4.81 Kg



Finishes

finishes

BASIC PP
Ref. 54197



white



black



ecru

Available in various colors

Ambients

