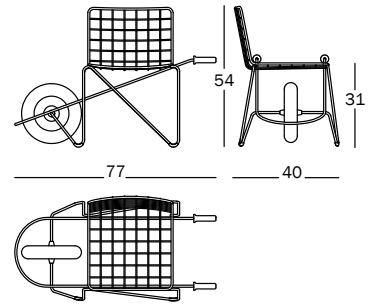


Trotter

Design Rogier Martens, 2015

Children's chair.


Frame in steel rod painted in polyester powder. Wheel and handles in polypropylene.



9401.79.00 | 0,215 m³ | 4,90 kg


| Art. nr. | Frame | Handles | Wheel |
|----------|---------------|--------------|---------------|
| MT26 | green 5277 C | green 1283 C | orange 1089 C |
| MT26 | yellow 5278 C | green 1283 C | orange 1089 C |

Frame


 green 5277 C

 yellow 5278 C

Wheel

 orange 1089 C

Handles

 green 1283 C