

**viccarbe**

# Maarten Plastic Stool

---

Designed by Víctor Carrasco

Catalogue - EN



## Víctor Carrasco

Born in Valencia (Spain) in 1974, Víctor Carrasco began his professional career after graduating Cum Laude in Industrial Design Engineering at the Polytechnic University of Valencia.

Shying away from trends and fads, he has developed and positioned international brands with remarkable added value, thanks to his passion for synthesis, sustainable growth and his pragmatic vision of the future.

Since 2007, he has been combining his position as strategic director of Viccarbe with that of Director Business Development for the prestigious American multinational Coalesse (Steelcase Inc.). Likewise, as an industrial designer, he has collaborated with numerous international companies.

He was the recipient of the Prince Felipe Award for Business Excellence and he has also won the German Design Award.

# Maarten Plastic

Collection designed by Victor Carrasco, 2019

## The sustainability of Maarten Plastic starts in the choice of its material

Within the Viccarbe collection, Maarten breathes the spirit of optimism, the freshness of a talent that, despite its youth, is capable of fitting among the most veteran of democratic design. No matter which element of the family we choose, we can always talk about its friendly silhouette and its seat of symmetrical shapes that has now included a sustainable polypropylene to its range of available finishes. Plastic is a clever ingredient when designing democratic and long-lasting furniture. But, it needs to be recyclable and -if possible- recycled. It's all about durability. Now you can also add an upholstered cushion to your seat and oak finish armrests as an unexpected counterpoint to the plastic, or add four wooden legs for both the chair and stool.



In these pages, Maarten Plastic family including chairs and stools

# New Maarten Stool, stackable

---



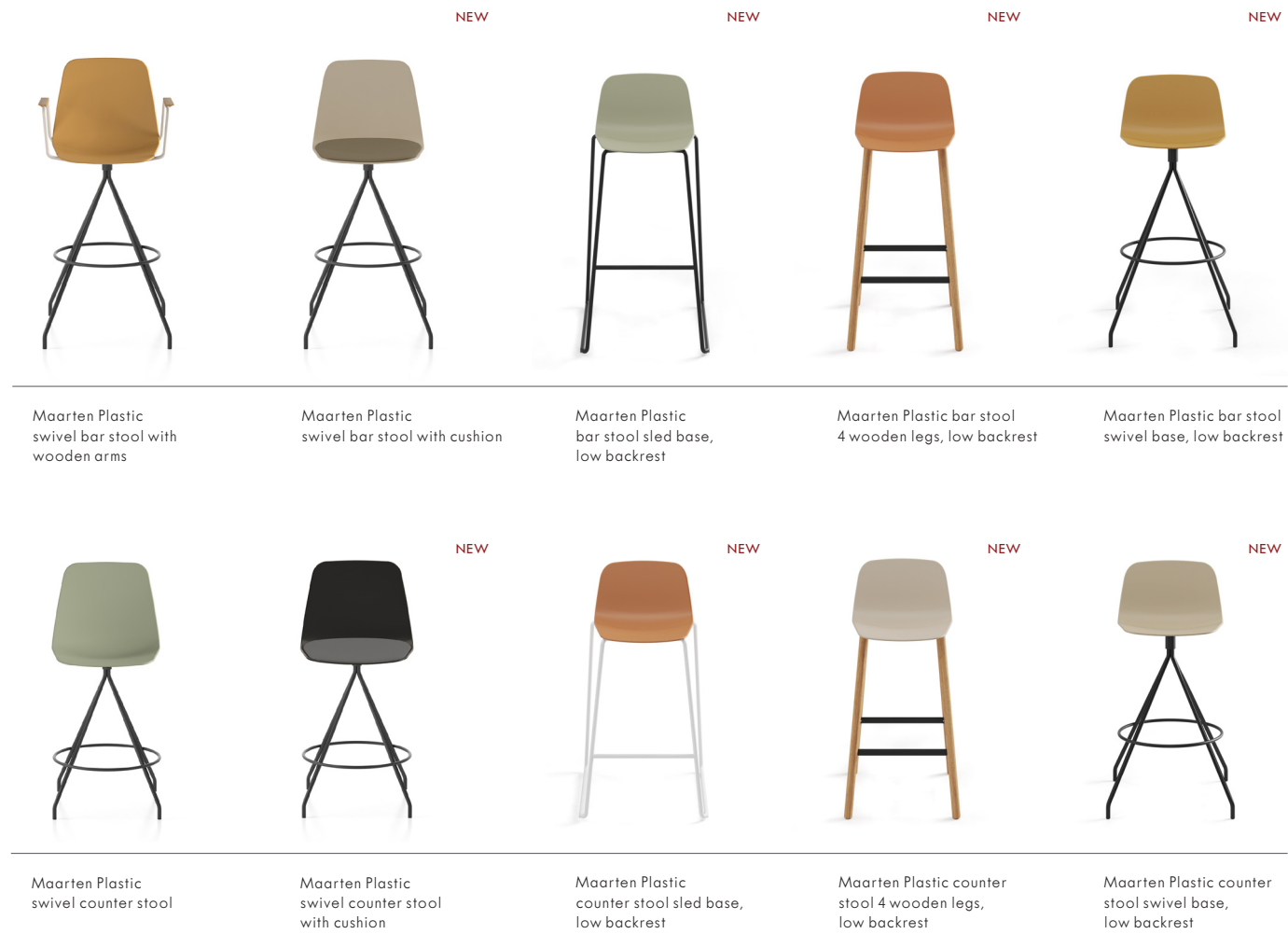
The new polypropylene casing also suggests comfort through the color range chosen for the family, based on shades which are capable of transporting us to that tranquility that is always provided by the natural, for it is well known that the Mediterranean is no place for stridency.

What would happen to the polypropylene seats if they did not include the stacking option? Maarten Plastic was born with the call of making everything easier, including the organization. You can stack up to 10 chair units thanks to its lightness and easy transportation.

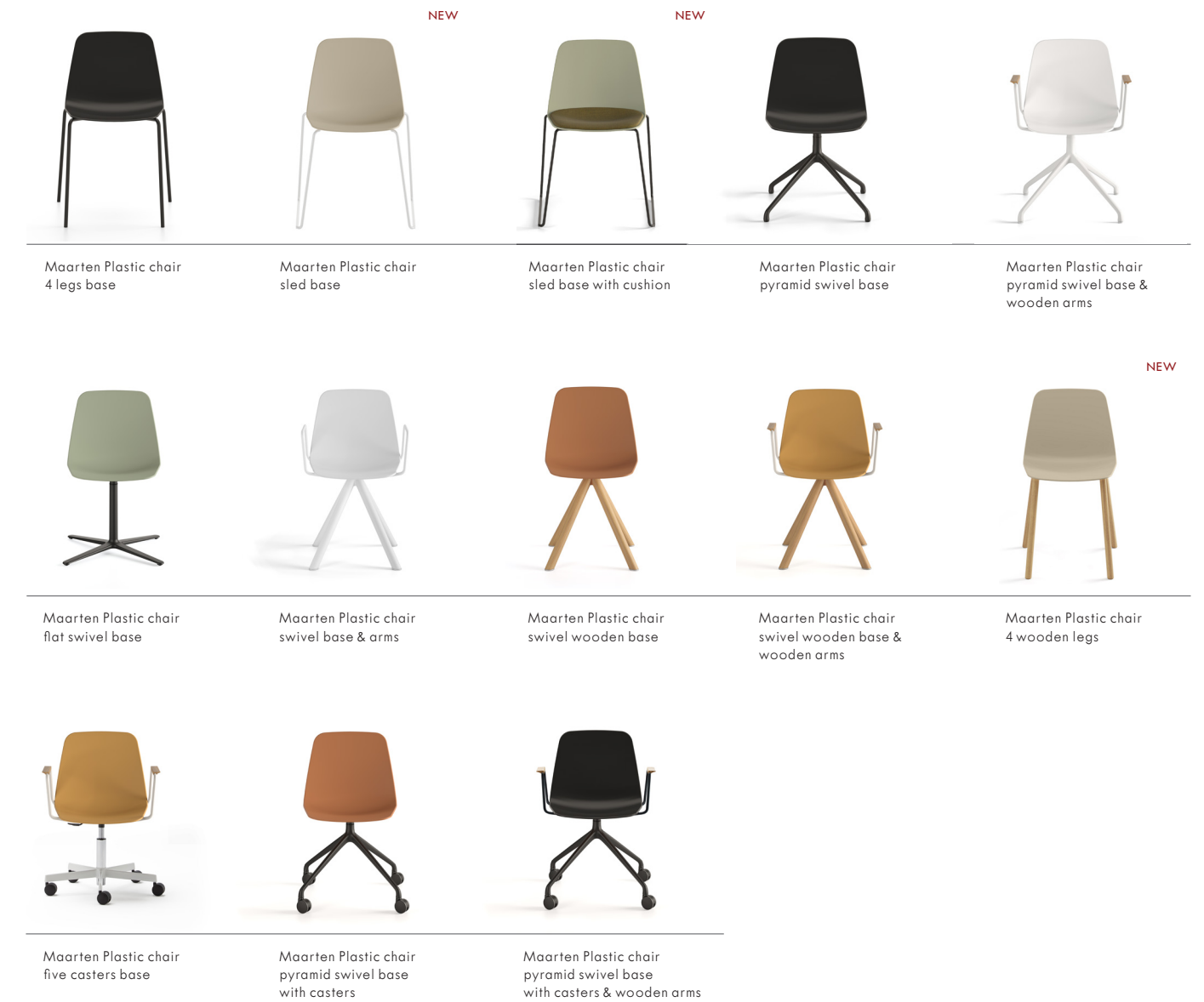


On the left, a picture of stacked sled base Maarten chairs and stools. On this page, Maarten Plastic stools

## Maarten Plastic Stool



## Maarten Plastic

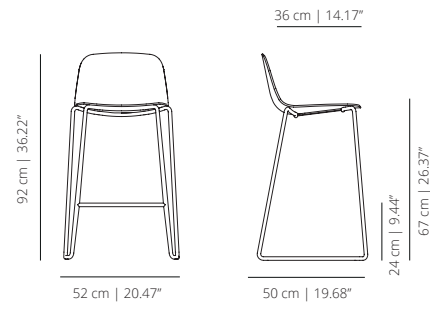


# Maarten Plastic Stool

Technical Info - EN

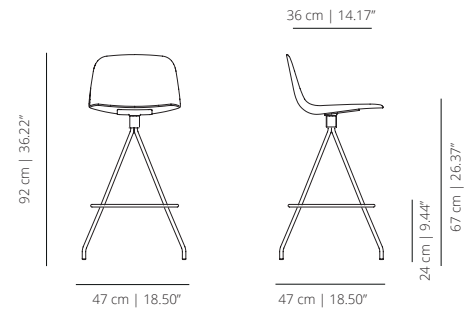
**SLED COUNTER STOOL - LOW SEAT**

**MAAPLTPTCOB**  
plastic



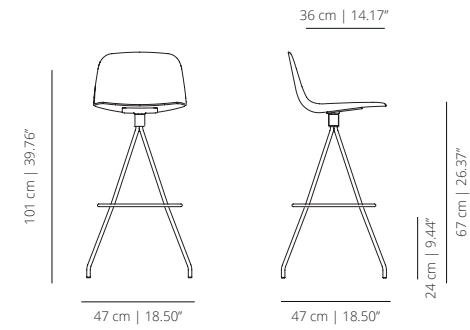
**SWIVEL COUNTER STOOL - LOW SEAT**

**MAAPLCOB**  
plastic



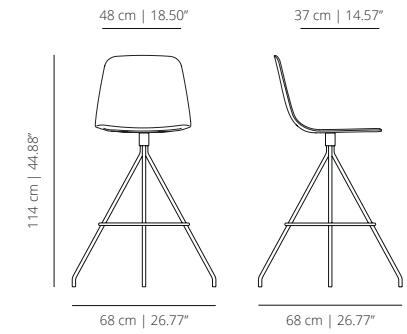
**SWIVEL BAR STOOL - LOW SEAT**

**MAAPLBARB**  
plastic



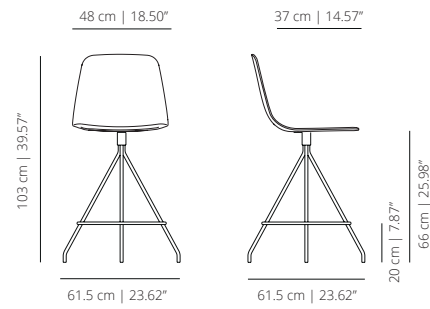
**SWIVEL BAR STOOL**

**MAAPLBAR**  
plastic

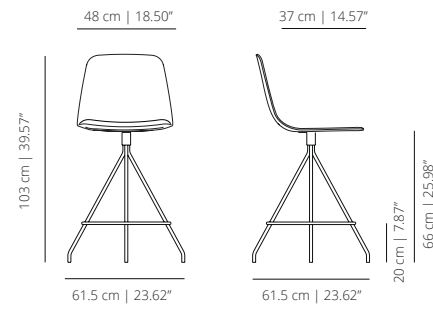


**SWIVEL COUNTER STOOL**

**MAAPLCO**  
plastic

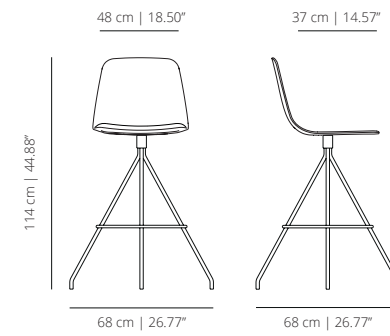


**MAAPLCOC**  
plastic with cushion



**SWIVEL BAR STOOL**

**MAAPLBAR**  
plastic with cushion



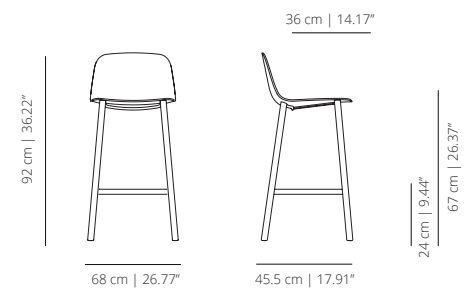
**FOUR WOODEN LEGS BAR STOOL - LOW SEAT**

**MAAPLT4MBARB**  
plastic



**FOUR WOODEN LEGS COUNTER STOOL - LOW SEAT**

**MAAPLT4MCOB**  
plastic



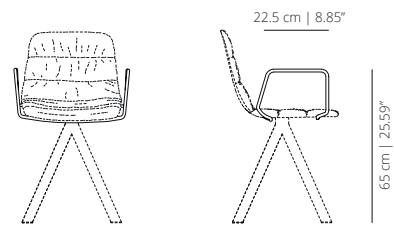
**SLED BAR STOOL - LOW SEAT**

**MAAPLTPTBARB**  
plastic

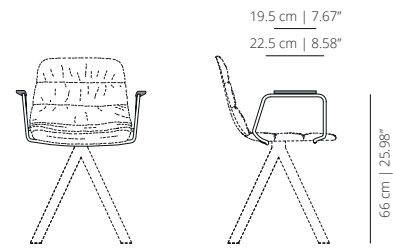


## ACCESSORIES

### MAB arms



### MAABRM wooden arms



## FINISHES

### STRUCTURE | ARMS

#### Powder coated



white  
RAL 9003



black  
RAL 9005



taupe  
RAL 1019



orange  
RAL 2005

### STRUCTURE | WOODEN LEGS

#### Stained



matt oak



cognac



wenge



ash

### POLYPROPYLENE

#### Seat



white  
RAL 9003



black  
RAL 9005



ochre  
RAL 1011



dusty green  
RAL 7034



brick  
RAL 050 50 30



taupe  
RAL 1019

## TECHNICAL INFO

**Plastic** – Injected polypropylene seat in white, black, sand, dusty green, yellow ochre or brick.

**Plastic with cushion** – Injected polypropylene seat in white, black, sand, dusty green, yellow ochre or brick with upholstered cushion in the finishes of our collection.

Base options:

**Sled base counter/bar stool** – Calibrated steel structure powder coated in thermoreinforced polyester in white or black and footrest in the same colour. Plastic glides in black or white.

**Swivel base counter/bar stool** – Calibrated steel swivel structure powder coated in thermoreinforced polyester in white or black and footrest in the same colour. Plastic glides in black or white with or without felt.

**Four wooden legs counter/bar stool** – Four solid oak wood legs stained with the finishes of our collection and footrest in calibrated steel powder coated in thermoreinforced polyester in black in black. Plastic glides in black or white with or without felt.

## CERTIFICATIONS

UNE EN 16139:13 vc 2015 (swivel counter stool and swivel bar stool)



