

viccarbe

Aleta Executive

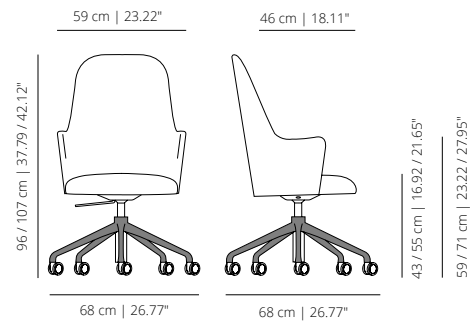
Designed by Jaime Hayon

Technical info - EN

V01

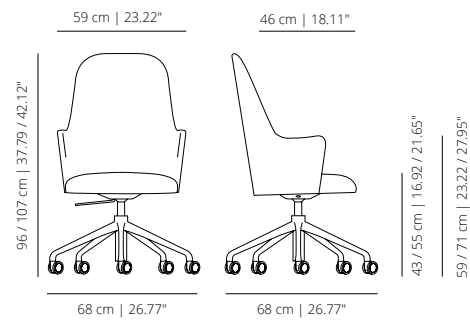
FIVE CASTERS NYLON BASE

ALEXBRNY upholstered chair



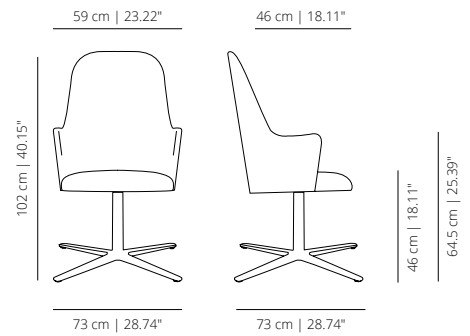
FIVE CASTERS ALUMINIUM BASE

ALEXBR upholstered chair

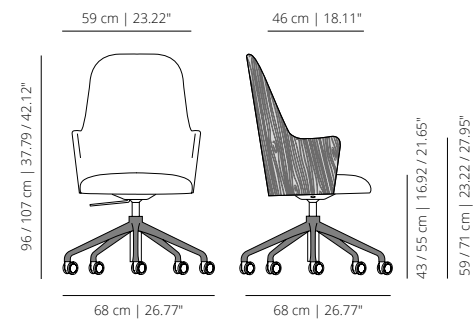


FLAT SWIVEL BASE

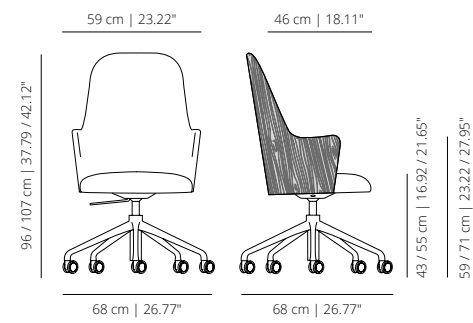
ALEXPLA upholstered chair



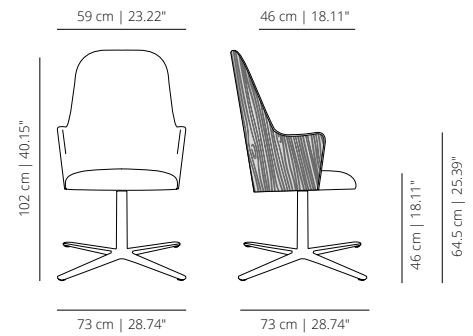
ALEXBRONY upholstered chair with wooden backrest



ALEXBRRO upholstered chair with wooden backrest



ALEXPLARO upholstered chair with wooden backrest



FINISHES

Upholstery

[Check upholstery samples.](#)

CHAIR BACKREST OPTIONS

Standard backrest – Back of the backrest upholstered in the same finish as the chair.

Back in leather, ecoleather or wood – Back of the backrest upholstered in leather, ecoleather or stained in oak veneer.



Upholstered

Back in wood

Back in leather/ecoleather

BACKREST

Stained Wood



bleached
stained oak

matt
stained oak

cognac
stained oak

walnut
stained oak

ash
stained oak

STRUCTURE

Powder coated



white
RAL 9003

black
RAL 9005

Nylon



white
RAL 9016

black
RAL 9005

OPTIONAL MECHANISMS



Tilting

Self-return

TECHNICAL INFO

Seat and backrest made of molded plywood covered with non-deformable fireproof expanded polyurethane of different densities.

Base options:

Five casters nylon base – Black or white nylon swivel base.

Gas height adjustment and black or white soft casters for hard floors depending on structure. Tilting mechanism with locking as an option for this base.

Five casters aluminium base – Aluminum base powder coated in black or white microtexturized. Gas height adjustment and black or white soft casters for hard floors depending on structure. Tilting mechanism with locking as an option for this base.

Flat swivel base – Injected swivel aluminium base powder coated in thermoreinforced polyester in black or white microtexturized. Black or translucent plastic glides, with or without felt. Tilting mechanism with locking and self-return mechanism are available options for this base.

NOTE: This collection offers the possibility of two-colour upholstery, with one colour for the seat and another for the back.

CERTIFICATES

ANSI BIFMA X6.4:2021 and UNE-EN 16139:2013vc2015

Let's talk

We want to help you find the best designs for your project. Contact us and our team will get back to you as soon as possible.

+ CONTACT US