

viccarbe

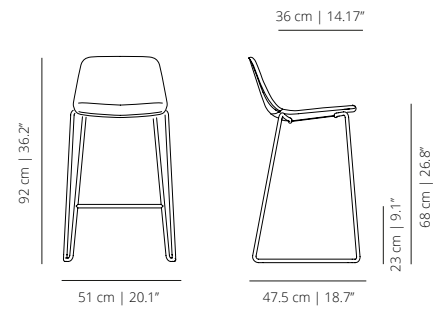
Maarten Stool

Designed by Victor Carrasco

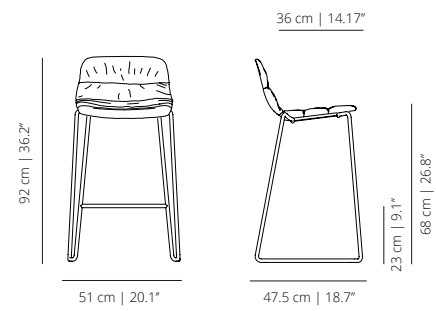
Technical info - EN

SLED COUNTER STOOL - LOW SEAT

MAALPTCOB
smooth upholstery

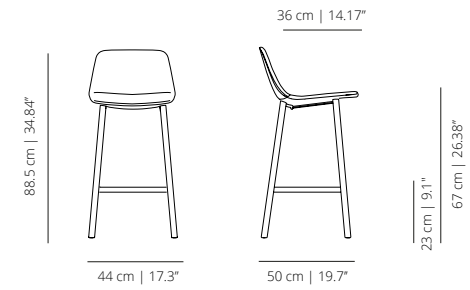


MAATPTCOB
soft upholstery

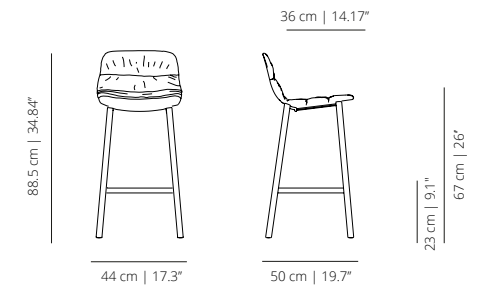


FOUR WOODEN LEGS COUNTER STOOL - LOW SEAT

MAALT4MCOB
smooth upholstery



MAAT4MCOB
soft upholstery

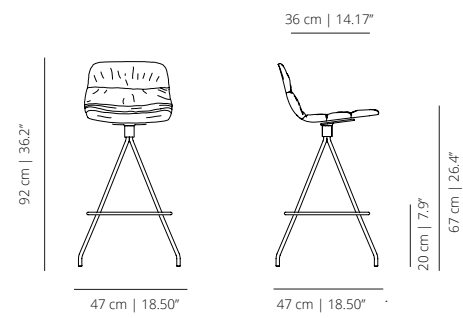


SWIVEL COUNTER STOOL - LOW SEAT

MAALTCOB
smooth upholstery

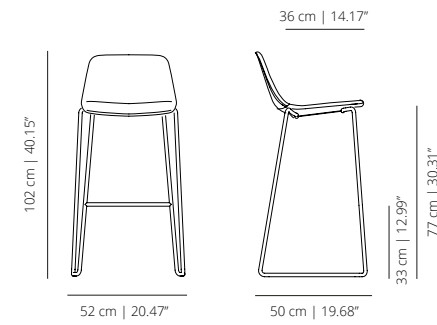


MAATCOB
soft upholstery

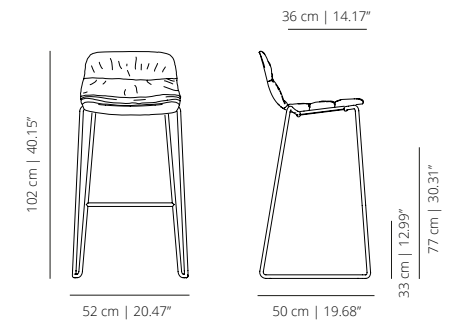


SLED BAR STOOL - LOW SEAT

MAAPLPTBARB
smooth upholstery

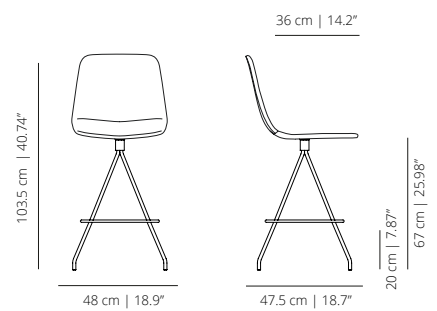


MAATPTBARB
soft upholstery

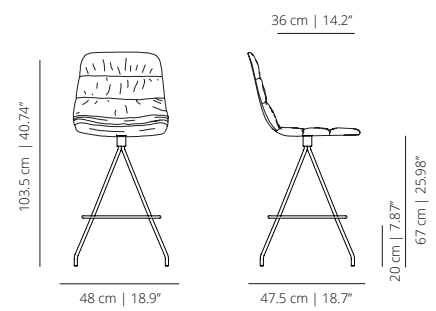


SWIVEL COUNTER STOOL

MAAL4P
smooth upholstery



MAA4P
soft upholstery

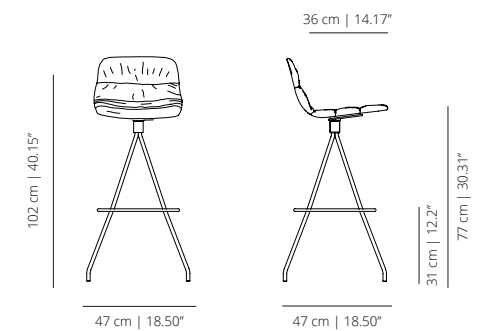


SWIVEL BAR STOOL - LOW SEAT

MAALTBARB
smooth upholstery

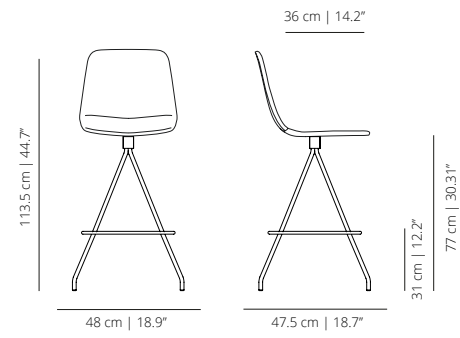


MAATBARB
soft upholstery

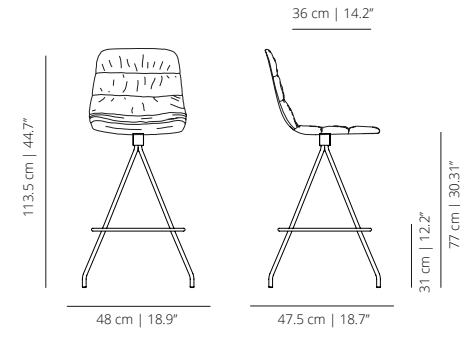


SWIVEL BAR STOOL

MAAL
smooth upholstery

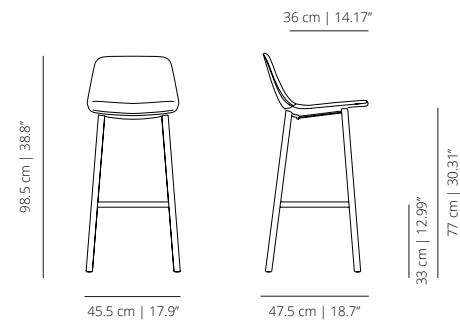


MAA
soft upholstery

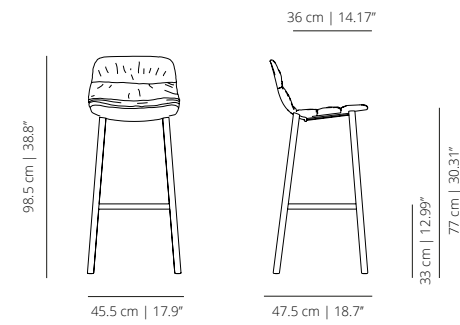


FOUR WOODEN LEGS BAR STOOL - LOW SEAT

MAALT4MBARB
smooth upholstery

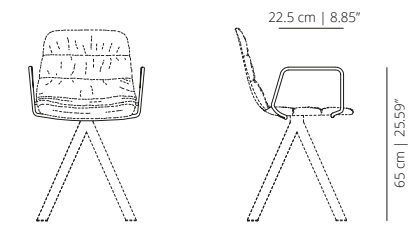


MAAT4MBARB
soft upholstery

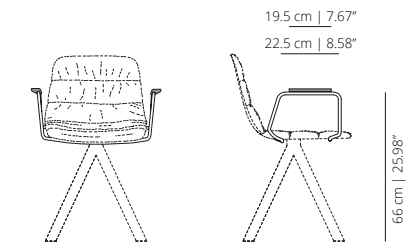


ACCESSORIES

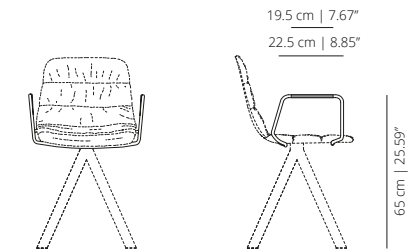
MAB
arms



MAABRM
wooden arms



MAABRTP/ MAABRTL
upholstered arms



FINISHES

SEAT OPTIONS

Smooth / soft upholstery – Injected polypropylene seat covered by expanded polyurethane foam with a smooth or soft finish.



Smooth

Soft

Check [upholstery](#) samples.

STRUCTURE | ARMS

Powder coated



white
RAL 9003



black
RAL 9005



taupe
RAL 1019

Stained Wood



bleached
stained oak



matt
stained oak



cognac
stained oak



walnut
stained oak



ash
stained oak

TECHNICAL INFO

Base options:

Sled base – Calibrated steel structure and footrest powder coated in thermoreinforced polyester in white, or black. Black or white plastic glides.

Swivel base – Calibrated steel swivel structure and footrest powder coated in thermoreinforced polyester in white, black, taupe or fluorescent orange. Black or white plastic glides wit or without felt.

Four wooden legs – Four solid oak wood legs stained with the finishes for our collection. Calibrated steel footrest powder coated in black thermoreinforced polyester. Plastic glides with or without felt.

CERTIFICATIONS

ANSI BIFMA X5.4-2020 and UNE EN 16139:2013vc2015

Let's talk

We want to help you find the best designs for your project. Contact us and our team will get back to you as soon as possible.

[CONTACT US](#)

