

viccarbe

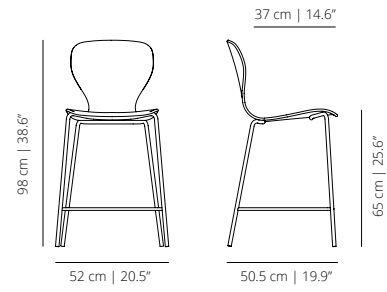
Ears Stool

Designed by Piero Lissoni

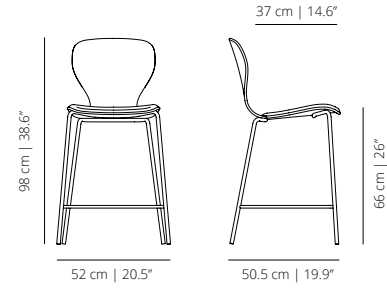
Technical info - EN

EARS FIXED COUNTER STOOL BASE

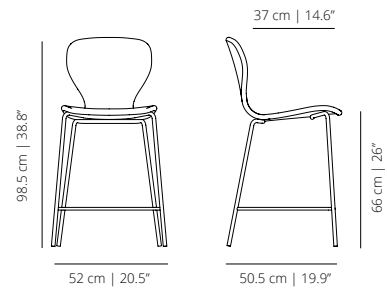
EATC4PRO
stained



EATC4PROC
stained with cushion

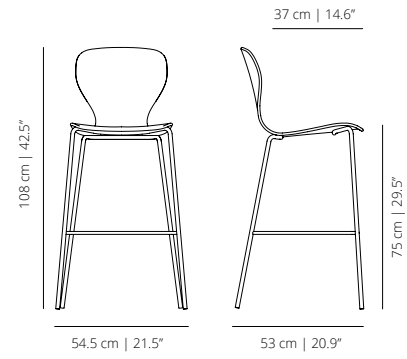


EATC4PT
smooth upholstery

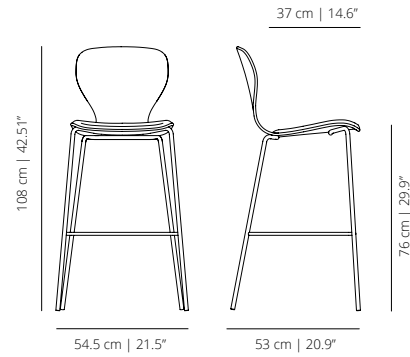


EARS FIXED BAR STOOL BASE

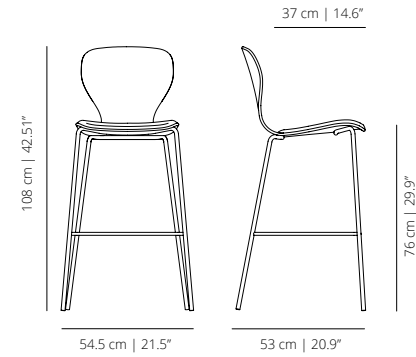
EATB4PRO
stained



EATB4PROC
stained with cushion

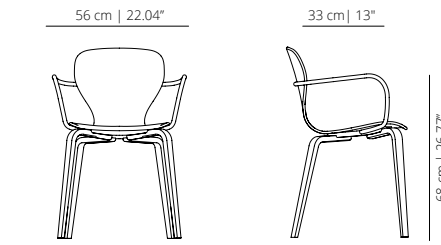


EATB4PT
smooth upholstery

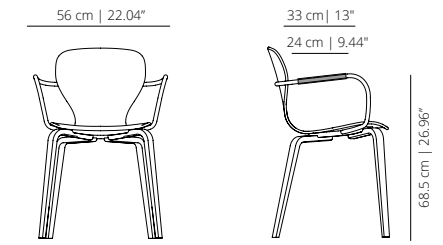


ACCESSORIES

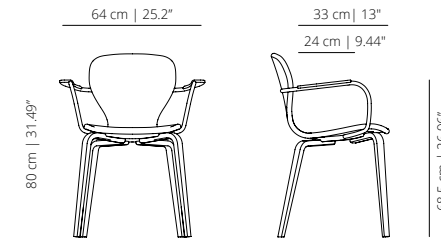
EABR
metal armrest



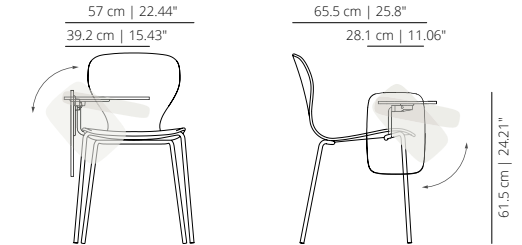
EABRT
upholstered metal armrest



EA4BRM
wooden armrest



EA4-PALA
writing tablet



FINISHES

SEAT OPTIONS

Stained – Stained curved oak plywood seat.

Stained with cushion – Stained curved oak plywood seat with cushion.

Smooth upholstery – Smooth upholstered plywood seat covered with expanded polyuretane foam.



Stained

Stained with cushion

Smooth upholstery

Check [upholstery](#) samples.

STRUCTURE

Powder coated



white
RAL 9003



black
RAL 9005

Stained Wood



bleached
stained oak



matt
stained oak



cognac
stained oak



walnut
stained oak



ash
stained oak



white
stained oak

HPL writing tablet



black
RAL 9005

TECHNICAL INFO

Base options:

Metal base – Calibrated steel structure powder coated in thermoreinforced polyester in white or black. Plastic glides in black or white with or without felt.

Stackable up to 10 units for the non-upholstered version and 4 units for the upholstered versions.

Arms options:

Metal arms – Calibrated steel arms powder coated in thermoreinforced polyester in black, or white.

Available for all bases and seats.

Upholstered metal armrest – Calibrated steel arms powder coated in thermoreinforced polyester in black or white and upholstered with leather or ecoleather.

Available for all bases and seats

Not stackable with arms.

Wooden arms – Calibrated steel arms powder coated in thermoreinforced polyester in black, or white with natural wood armrests stained with the finishes of our collection and white (open pore).

Available for all bases and seats.

Writing tablet – HPL writing tablet with aluminum mechanism and anti-panic system. Left or right handed versions.

Available only for four metal legs base.

NOTE: Structures of the writing tablet and the chair are always in the same colour.

Let's talk

We want to help you find the best designs for your project. Contact us and our team will get back to you as soon as possible.

CONTACT US

