

Demí

2019

Mirco Crosatto

When switched off, Demí is a large, transparent dome. When switched on, the lower edge and the thousands of laser micro-incisions on the surface emit soft and uniform light thanks to the exclusive Opti-Light™ technology. The light is generated by an invisible LED bulb inside the ring of the large upper opening that, like in Rome's ancient Pantheon, is the source of light.

• **Heat-blown PMMA diffuser, aluminium ring, metal wire casing. Finish: white/transparent.**

Demí da spenta è un'ampia cupola trasparente. Grazie all'esclusiva tecnologia Opti-Light™, quando viene accesa, il bordo inferiore e le migliaia di microincisioni al laser della superficie diffondono un'illuminazione morbida e omogenea. Questa è generata da un'invisibile sorgente LED posta nell'anello del grande foro superiore che, come nell'antico Pantheon, è origine di luce

• **Diffusore in PMMA termosoffiato, anello in alluminio, coprifiло in metallo. Finitura: bianco/trasparente.**

Demí ist ausgeschaltet eine große, transparente Kuppel. Dank der exklusiven OptiLight™-Technologie streuen der untere Rand und die tausenden Lasermikrogravuren, wenn die Leuchte eingeschaltet wird, ein weiches, gleichmäßiges Licht. Das Licht wird durch eine unsichtbare LED-Leuchtquelle im Ring des großen oberen Lochs, aus dem, wie im alten Pantheon, das Licht kommt, erzeugt.

• **Diffusor aus heißgeblasenem PMMA, Ring aus Aluminium, Kabelabdeckung aus Metall. Ausführung: Weiß/transparent.**

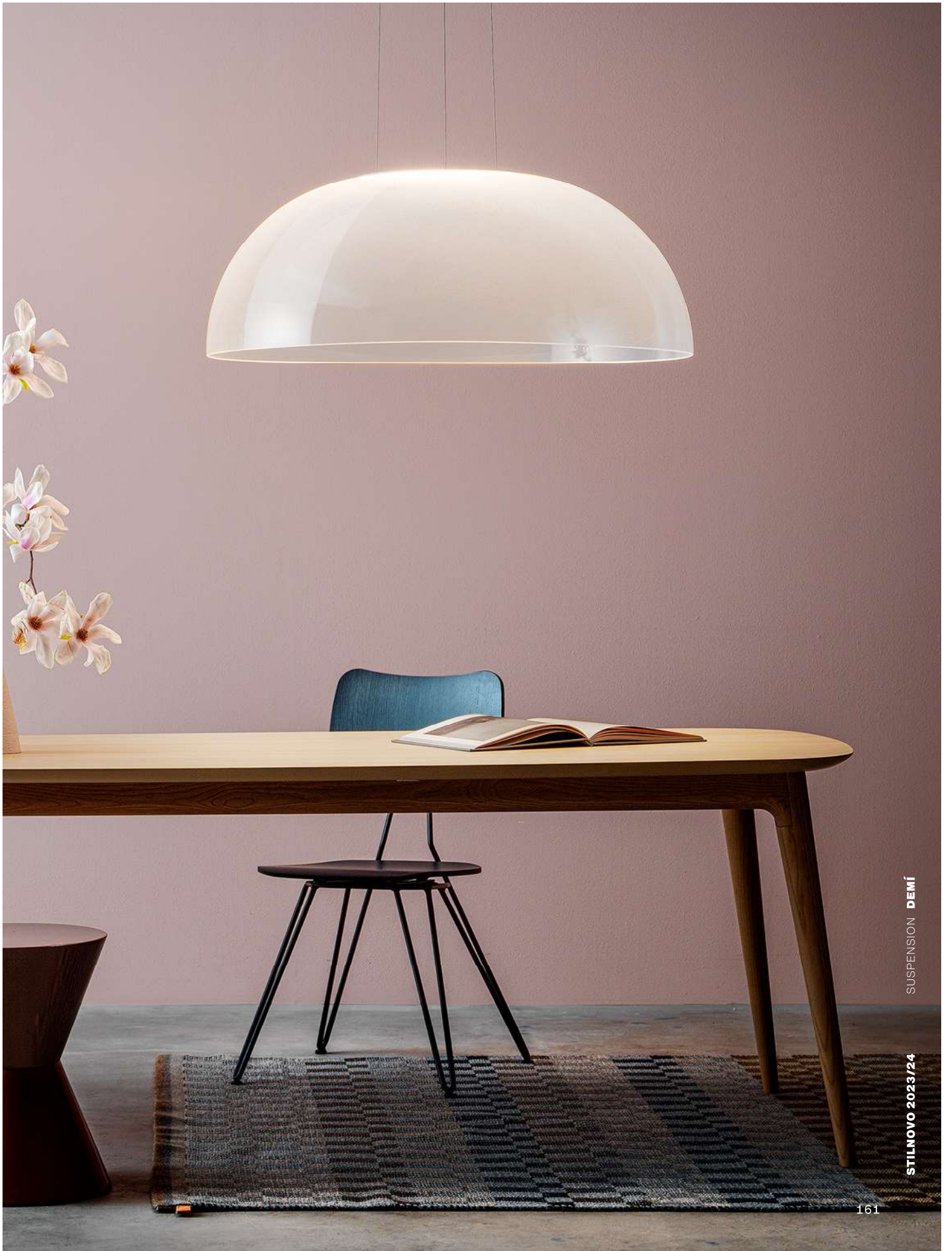




SUSPENSION **DEMÍ**

STILNOVO 2023/24





SUSPENSION **DEMÍ**

STILNOVO 2023/24

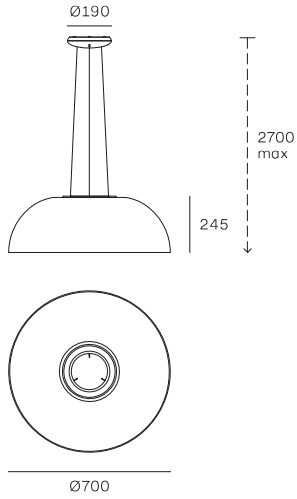


1. Demí Ø70



Dimming kits

- KIT0079** / CASAMBI
DALI / 1 art / in
- KIT0080** / CASAMBI
PH-CUT / 1 art / in
- KIT0026**
PH-CUT / 1-3 art

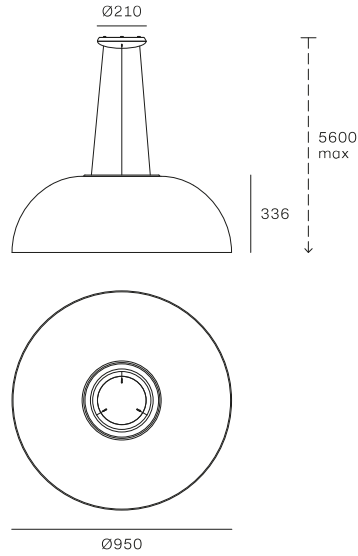


2. Demí Ø95



Dimming kits

- KIT0079** / CASAMBI
DALI / 1 art / in



MOD	CODE	FINISH	SOURCE	INPUT	DIMMING	CCT (K)	LUMEN	CRI	IP	OPTICS
1	8890	WH TR	TopLED 37W	220-240V	DALI Push	3000	4198	90	20	Diffused
	8890M	WH TR	TopLED 37W	220-240V	DALI Push	2700	3904	90	20	Diffused
	8892	WH TR	TopLED 33W	220-240V	Phase-cut	3000	3748	90	20	Diffused
	8892M	WH TR	TopLED 33W	220-240V	Phase-cut	2700	3485	90	20	Diffused
2	8891	WH TR	TopLED 55W	220-240V	DALI Push	3000	6219	90	20	Diffused
	8891M	WH TR	TopLED 55W	220-240V	DALI Push	2700	5784	90	20	Diffused

Other versions: wall/ceiling, p. 272.