

Faz chair steel base

by Ramón Esteve

Vondom's Faz collection, designed by Ramón Esteve, is one of the firm's most iconic collections. It stands out for its modular design and sophistication, representing harmony, serenity and timelessness through mineral and emphatic shapes. Faz transforms environments with its unique combination of material and light, creating an enveloping and exclusive atmosphere.

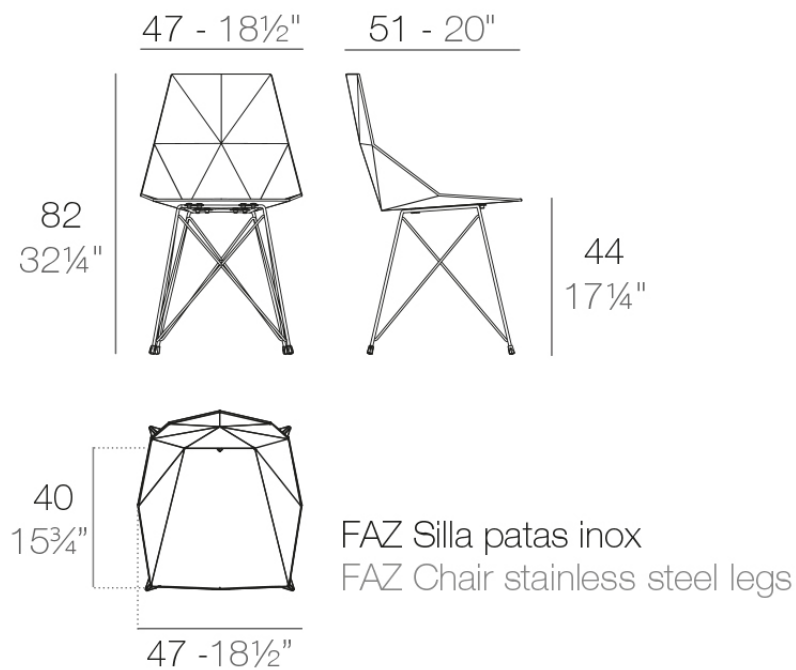


Info

Description

One piece moulded seat and back polypropylene chair. The legs are made in stainless steel with lacquer in a colour to match the seat. Item suitable for indoor and outdoor use.

Weight: 2.53 Kg



Finishes

finishes

BASIC PP
Ref. 54044



white



ecu



black

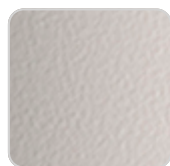
Available in various colors

estructura

ALUMINIUM
Ref. VVAR00991



white



ecu



black

Ambients

