

Tablet

2014

Mirco Crosatto

Tablet is a family of minimalistic lamps with adjustable light. A thin, rectangular frame houses the mobile light sources which, thanks to the almost complete rotation on its own axis, allows the orientation of direct, indirect or combined beams of light.

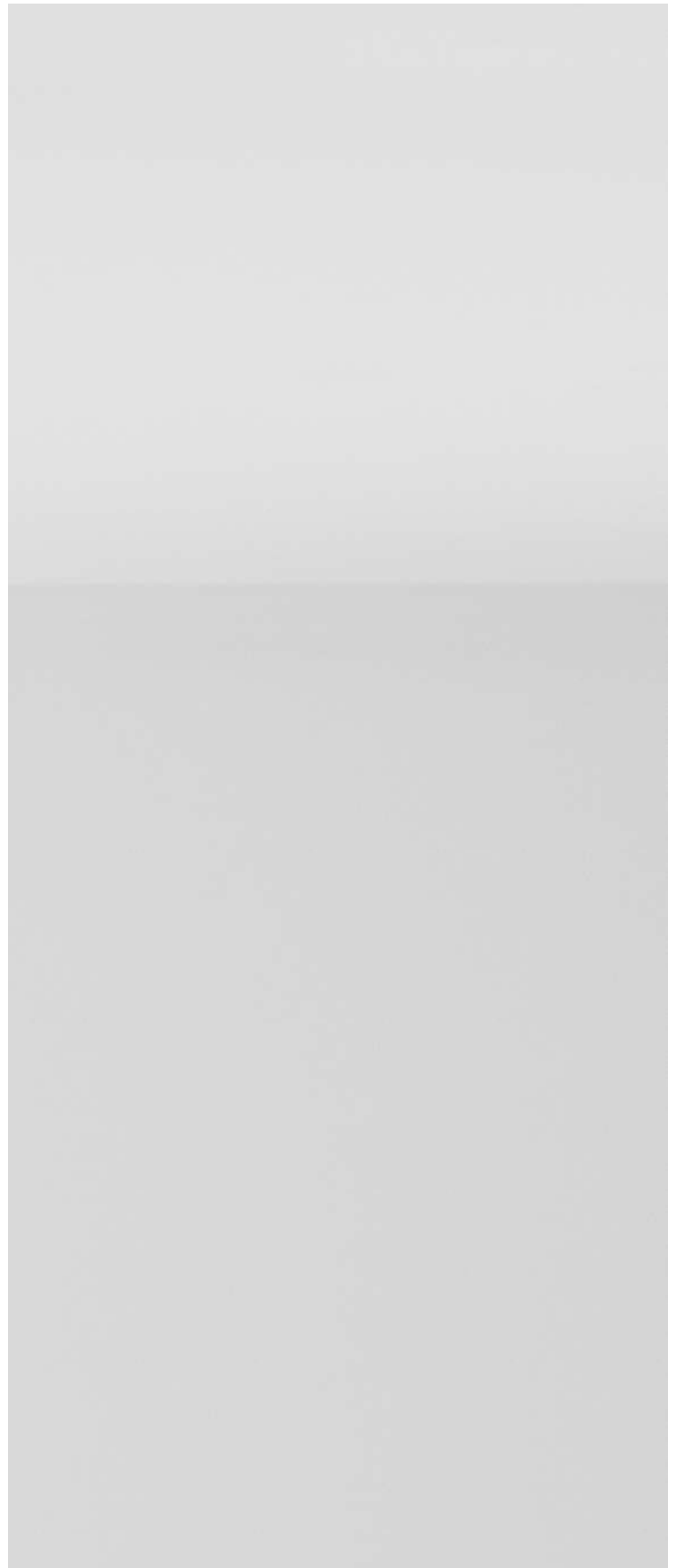
• **Aluminium body, opaline polycarbonate diffuser, metal wire casing. Finishes: white, black.**

Tablet è una famiglia di lampade minimali a luce direzionabile. In un sottile telaio rettangolare sono incorniciate le sorgenti mobili che, grazie alla rotazione quasi completa sul proprio asse, permettono l'orientamento di fasci luminosi diretti, indiretti o combinati.

• **Corpo in alluminio, diffusore in policarbonato opalino, coprifilo in metallo. Finiture: bianco, nero.**

Tablet ist eine Familie minimalistischer Leuchten mit ausrichtbarem Licht. In einem dünnen rechteckigen Rahmen stecken die beweglichen Lichtquellen, die dank der praktisch kompletten Drehung um die eigene Achse erlauben, die direkten, indirekten oder kombinierten Lichtbündel auszurichten.

• **Lampenkörper aus Aluminium, Diffusor aus milchigem Polycarbonat, Kabelabdeckung aus Metall. Ausführungen: weiß, schwarz.**







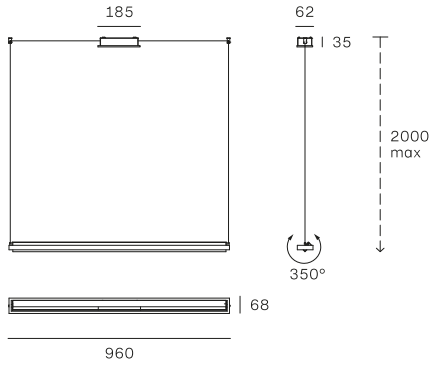
1. Tablet single source



Dimming kits

KIT0080 / CASAMBI
PH-CUT / 1-2 art / out

KIT0026
PH-CUT / 1-4 art



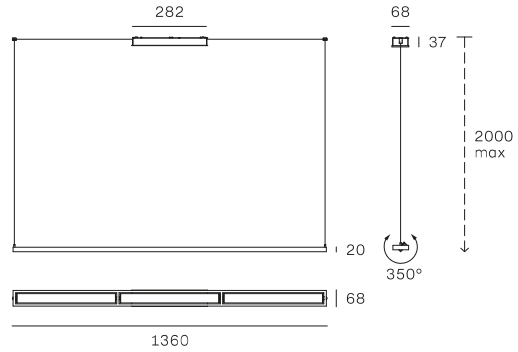
2. Tablet 1x3 sources



Dimming kits

KIT0080 / CASAMBI
PH-CUT / 1 art / out

KIT0026
PH-CUT / 1-2 art



MOD	CODE	FINISH	SOURCE	INPUT	DIMMING	CCT (K)	LUMEN	CRI	IP	OPTICS
1	8475	WH	TopLED 23W	220-240V	Phase-cut	3000	2719	80	20	Diffused
	8476	BB	TopLED 23W	220-240V	Phase-cut	3000	2719	80	20	Diffused
2	8450	WH	TopLED 42W	220-240V	Phase-cut	3000	5040	80	20	Diffused
	8451	BB	TopLED 42W	220-240V	Phase-cut	3000	5040	80	20	Diffused

Other versions: floor, p. 130; wall/ceiling, p. 352.